



STAINLESS STEEL

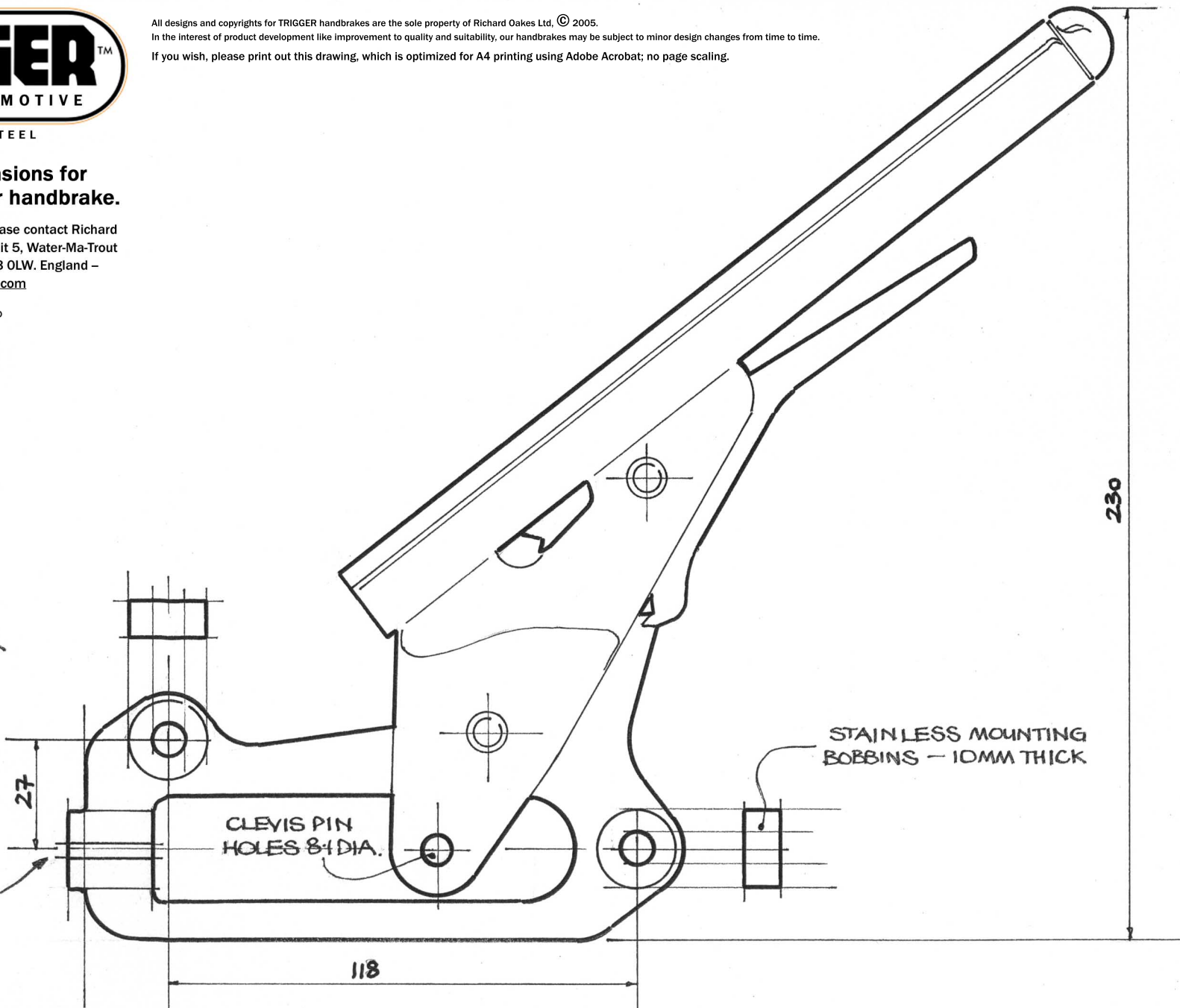
### Installation dimensions for 'CLUBMAN' Trigger handbrake.

If more information is required, please contact Richard Oakes Ltd; 01326 574464 (UK). Unit 5, Water-Ma-Trout Ind. Est, Helston, Cornwall, TR13 0LW. England - [www.blackjackzero.com](http://www.blackjackzero.com)

MADE IN ENGLAND

All designs and copyrights for TRIGGER handbrakes are the sole property of Richard Oakes Ltd. © 2005. In the interest of product development like improvement to quality and suitability, our handbrakes may be subject to minor design changes from time to time. If you wish, please print out this drawing, which is optimized for A4 printing using Adobe Acrobat; no page scaling.

HOLE AND SLOT TO ACCEPT M10 CABLE ADJUSTER.



CLEVIS PIN HOLES 8+ DIA.

STAINLESS MOUNTING BOBBINS - 10MM THICK

230

118

27